


## Hydraulic components

Hose kit	Feed chamber motor	Loading ram
9919	Parker Magneto 405	3½"x1½"x635mm

## Hydraulic hoses

Item	Between	
	Tractor and feedout chamber	Tractor and loading ram
<b>Hose (m)</b>		
½" double wire braid	5.8	5.6
<b>Hose ends</b>		
½" BSPP male	1	1
½" BSPP female	1	
½" BSPP compact 90° female		1
<b>Fittings</b>		
½" BSPP QRC male	1	1
½" BSPP male barrel nipple		1
½" BSPP to 7/8" UNO barrel nipple	1	
<b>Seals</b>		
½" Doughty	1	2

## Drive covers

Description	Part Number	Image	Quantity used
Drive cover	1000603		1

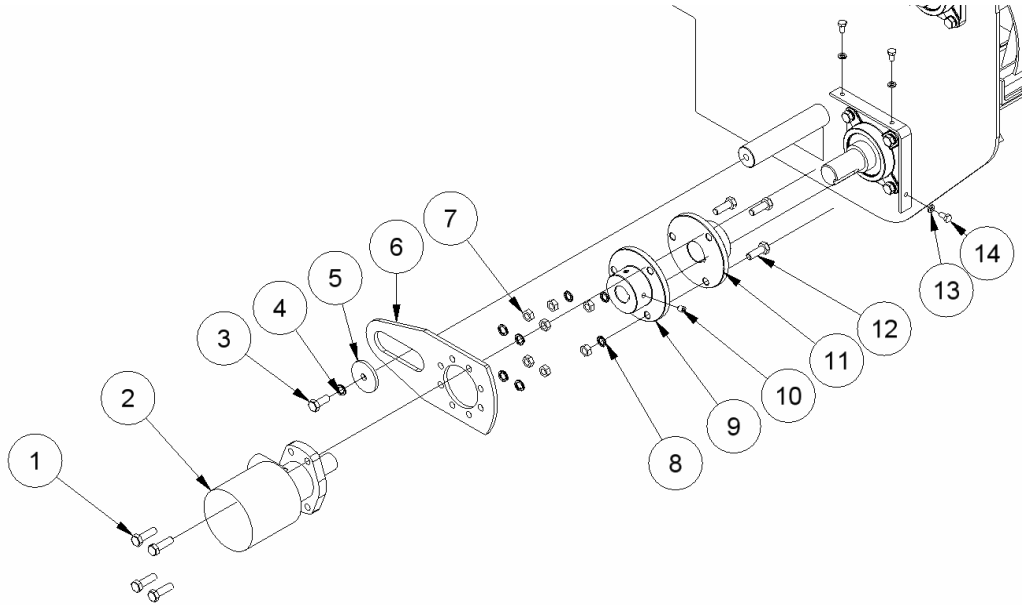
## Drawbar

Item	Description	Part Number	Image	Quantity used
1	Jack	Agmech 2BF		1
2	Jack pin	1128		1
3	Tow eye: Fixed  Swivel	1001620  1001100		1
4	Pedestal  QRC hose holder	1083  1000895		1  4



## Floor chain

Description	Part number	Chain	Floor bar	
			Dual spiked	Triple spiked
		C2082H	1490	2163
RS2	2258	204	9	8

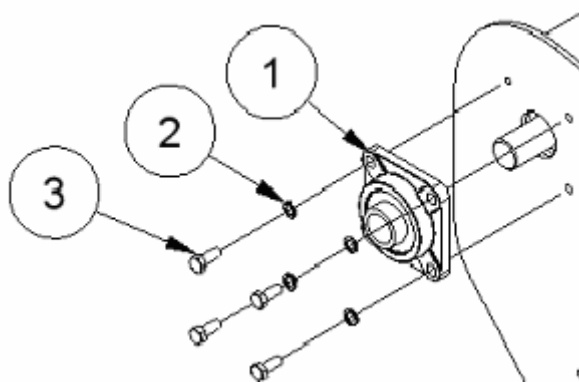
## Input coupling




Item	Description	Part number	Image	Quantity used
1	Bolt	M12 x 40mm		4
2	Hydraulic motor	Parker 0405		1
3	Set screw	M12 x 30mm		1
4	Spring washer	M12		5
5	Torque arm washer	1000921		1
6	Motor mount	P_014		1
7	Nut	M12		7
8	Wedge lock washer	M12		3

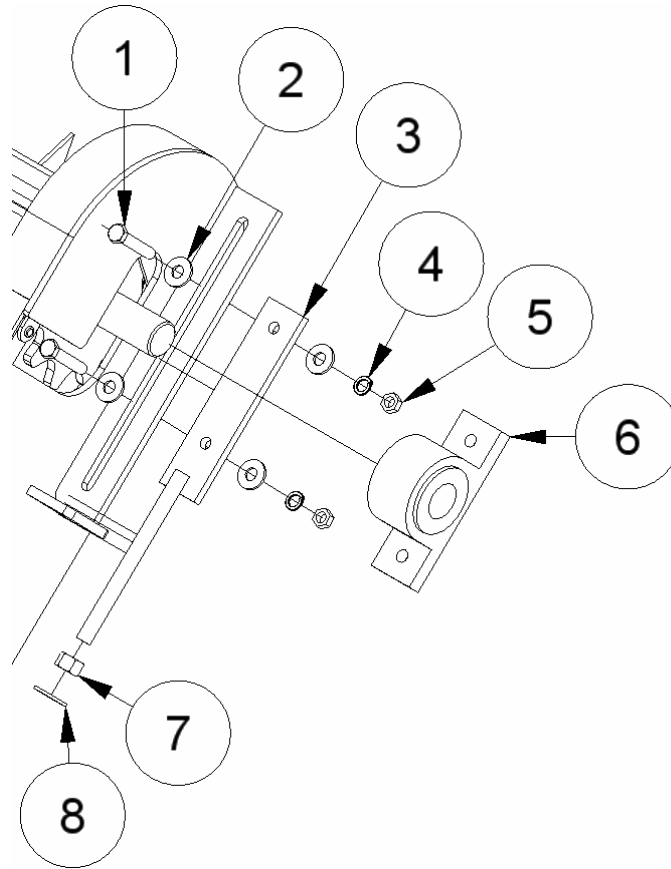
9	Hydraulic motor coupling  Key	1001377  5/16" x 5/16"		1
10	Grub screw	M10 x 1.5		4
11	Input shaft coupling  Key	1001127  10 x 10 x 47mm		1
12	Set screw	M12 x 35mm		3
13	Spring washer	M8		3
14	Set screw	M8 x 16mm		3


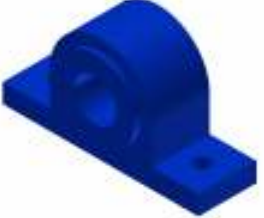
## Bearing arrangement



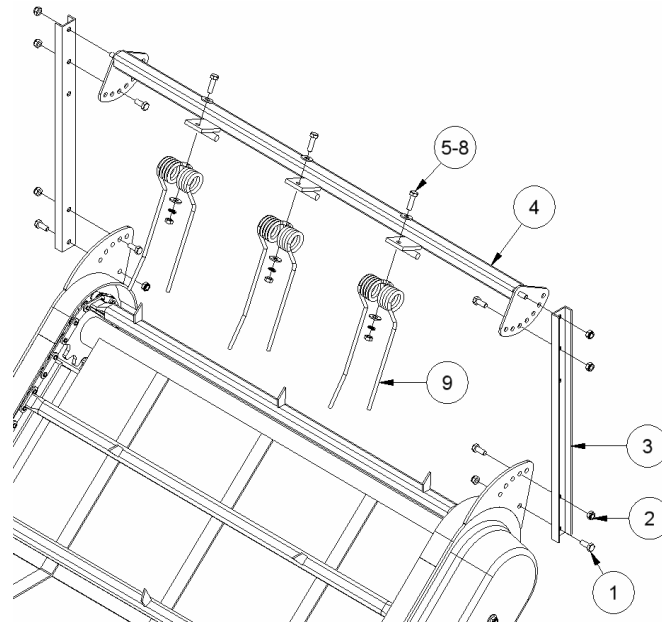
Item	Description	Part number	Image	Quantity used
1	Bearing	1001159		1
2	Spring washer	M12		4
3	Bolt	M12 x 30		4

## Slide adjuster



Item	Description	Part number	Image	Quantity used
1	Bolt	M12 x 65		4
2	Flat washer	M12		8
3	Adjuster	1097		2
4	Spring washer	M12		4
5	Nut	M12		4
6	Bearing	1001141		2
7	Nut	M16		4
8	Flat washer	M16		2

## Teaser tines



Item	Description	Part number	Image	Quantity
1	Bolt	M12 x 30		6
2	Nyloc nut	M12		8
3	Upright	1004712		2
4	Crossbar	2246		1
5	Bolt	M12 x 40		3
6	Flat washer	M12		6
7	Spring washer	M12		3
8	Nut	M12		3
9	Tine	1001042		3