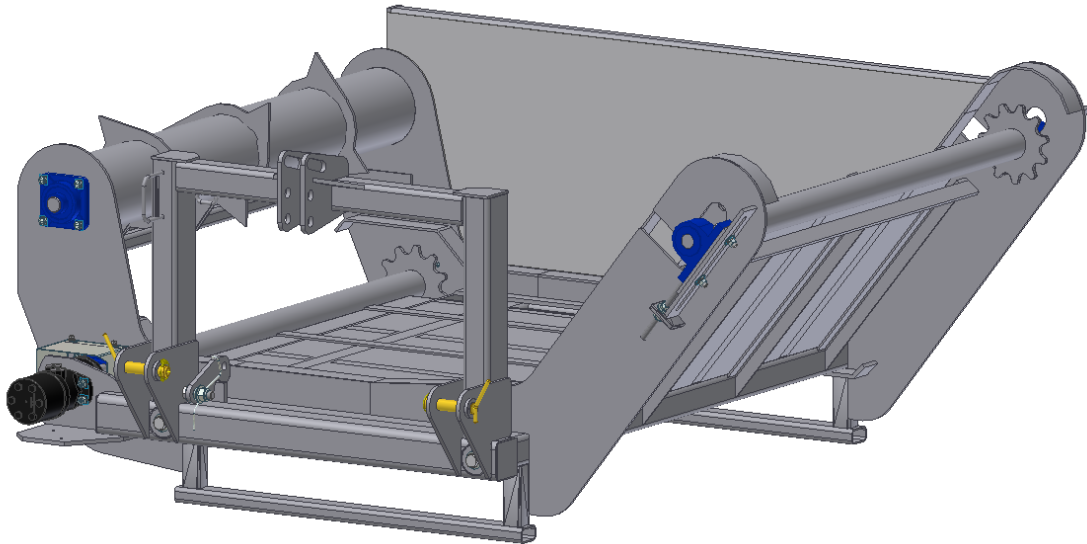




Manufacturers of Agricultural Equipment



### Specifications Linkage Single Shredder



FEED OUT TYPE:	Bi directional chain - teasing rota shredder on near side - high curve on off side
BALE TYPES:	Round Bales any type
CROP TYPE:	Silage / Hay / Straw bales
HYDRAULIC CONTROL:	1 x double acting
CAPACITIES IN KGs:	1,100kgs
4' ROUND BALES:	1
BODY LENGTH:	2,400mm
BODY WIDTH:	2,290mm
TARE WEIGHT:	620kgs
CHASSIS:	75mm x 75mm 400 grade RHS fully welded to 4711 standard

FLOOR THICKNESS	1.6mmm steel floor with nominal bracing underneath as well as rub bars on top
HEADBOARD	Mesh Headboard
OIL REQUIREMENT	Minimum of 32 litres / minute
LOADING	75mm x 75mm 400 grade RHS fully welded to 4711 standard
FINISH	Blasted, zinc base primer, 2 x gloss coats
COLOUR	Agmech Yellow on body with charcoal components and white comb
OPTIONS	Discuss your individual requirements with your dealer as a range of options are available.

## NOTES