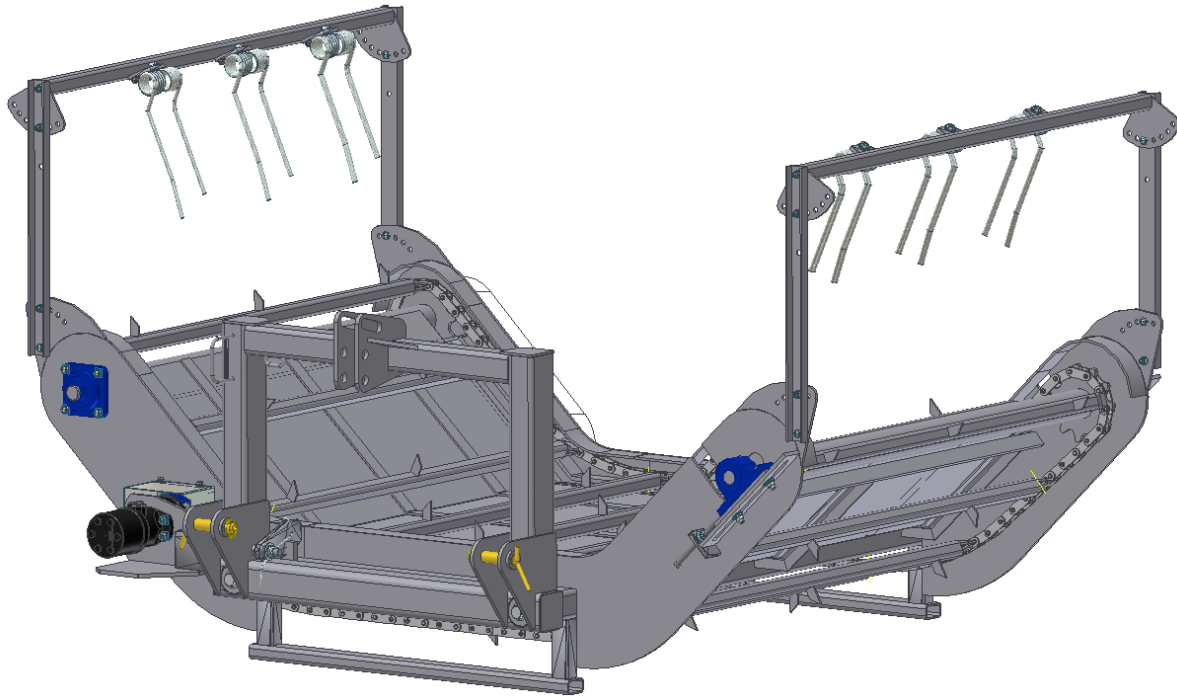




Manufacturers of Agricultural Equipment



Specifications – Linkage RS1



| | |
|--------------------|--|
| FEED OUT TYPE: | Bi directional chain - on symmetrical low curve - Retarder bar fitted to both sides for square bales |
| BALE TYPES: | Round and Square Bales |
| CROP TYPE: | Silage / Hay / Straw bales |
| HYDRAULIC CONTROL: | 1 x double acting |
| CAPACITIES IN KGs: | 1,100kgs |
| 4' ROUND BALES: | 1 |
| BODY LENGTH: | 2,400mm |
| BODY WIDTH: | 2,280mm |

| | |
|-----------------|--|
| TARE WEIGHT: | 570kgs |
| CHASSIS: | 75mm x 75mm 400 grade RHS fully welded to 4711 standard |
| FLOOR THICKNESS | 1.6mm steel floor with nominal bracing underneath as well as rub bars on top |
| HEADBOARD | Pipe Headboard |
| OIL REQUIREMENT | Minimum of 32 litres / minute |
| LOADING | 75mm x 75mm 400 grade RHS fully welded to 4711 standard |
| FINISH | Blasted, zinc base primer, 2 x gloss coats |
| COLOUR | Agmech Yellow on body with charcoal components and white comb |
| OPTIONS | Discuss your individual requirements with your dealer as a range of options are available. |

NOTES