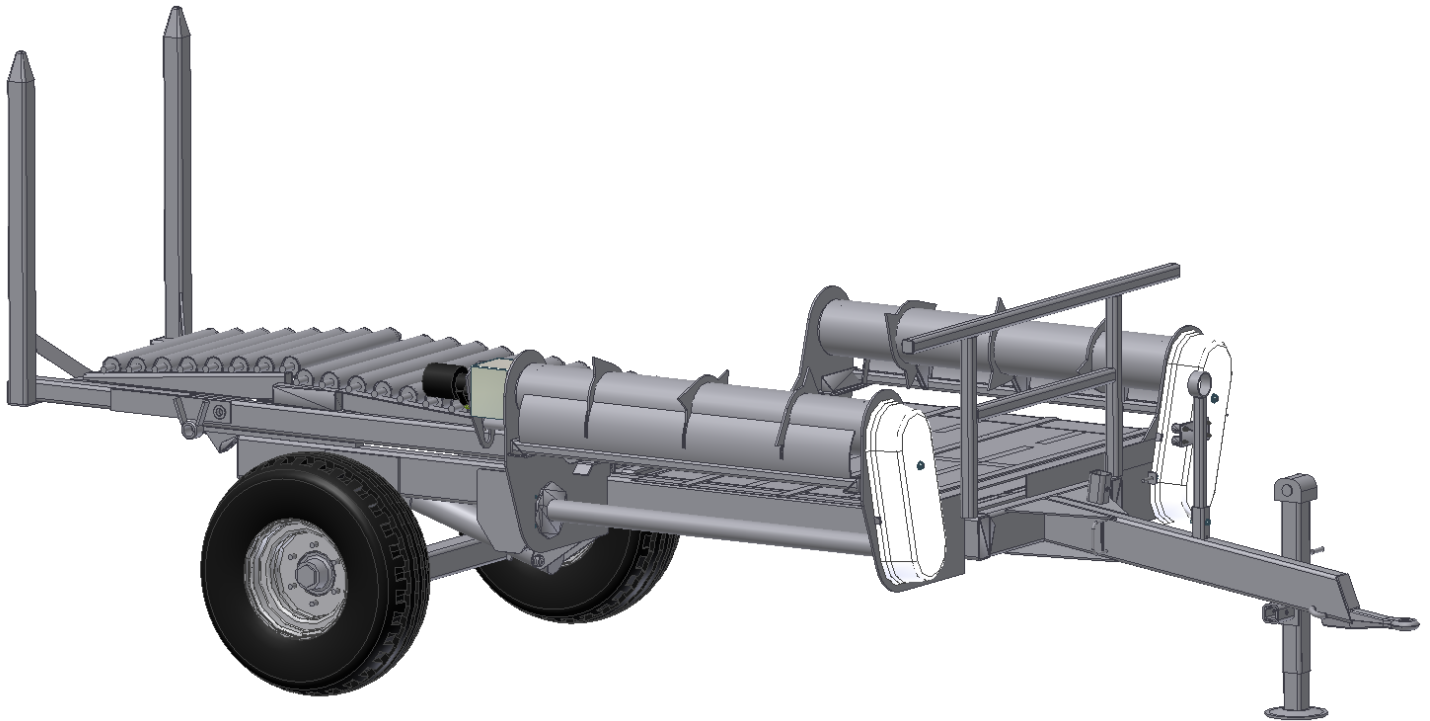




Manufacturers of Agricultural Equipment



Specifications – 3 Bale / 2 Bale 3B2B



FEED OUT TYPE	Any type of the mentioned feed out chambers mounted to extended chasis for 3rd bale
BALE TYPES	Feed out as optioned
CROP TYPES	as optioned
HYDRAULIC CONTROL:	2 Double acting
CAPACITIES IN KGs	3,600kgs
4' ROUND BALES:	2
BODY LENGTH:	1,465mm is our standard body size for 4' bales with all components jig built around this - we do offer optional 5' for bigger bales

OVERAL LENGTH:	5,230mm without loading tines
OVERAL WIDTH:	as optioned
TARE WEIGHT:	1,480kgs
AXLE SINGLE:	60 / 6 Stud brakeless Rigid Axle
WHEELS SINGLE:	11.5 / 80 x 15.3 (see options)
CHASSIS:	All chassis' are made of 152mm x 76mm - 400 grade RHS - fully welded to 4711 standard
DRAW BAR LENGTH	1450mm with 60mm jack support
FLOOR THICKNESS	2mm Full steel floor
TOW EYE	All drawbars are fitted with a European 40mm diameter forged eye - options on swivel eye or variable height eyes are available
HEADBOARD	as optioned
OIL REQUIREMENT	Minimum of 32 litres / minute
RAM	All feeder use a locally made 4" diameter hydraulic cylinder - double acting - it has a lift capacity of 1,850kgs with only 1,500PSI - ensuring all bales can be loaded
LOADING	All Agmech feeders have a unique off ground loading system that has 2 x Swedish tines that pierce the bale 150mm from ground level thus eliminating tine damage but simplifying plastic and wrap removal - 2nd bale carried on tines awaiting feed-out
FINISHING	Blasted or solvent washed - heavy zinc based primer then 2 x gloss coats
COLOUR	Agmech Yellow on body with Charcoal parts, wheels white
OPTIONS	Common options are 400 wheels - twine box - we will gladly consider any other requirements that you have

NOTES