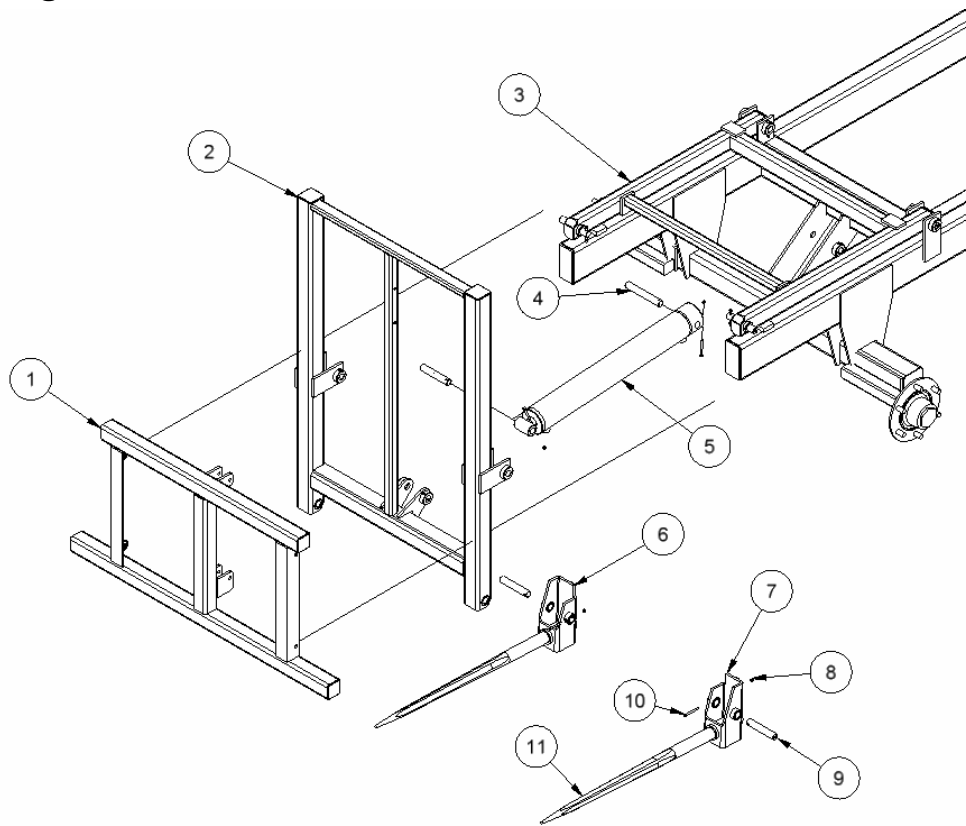











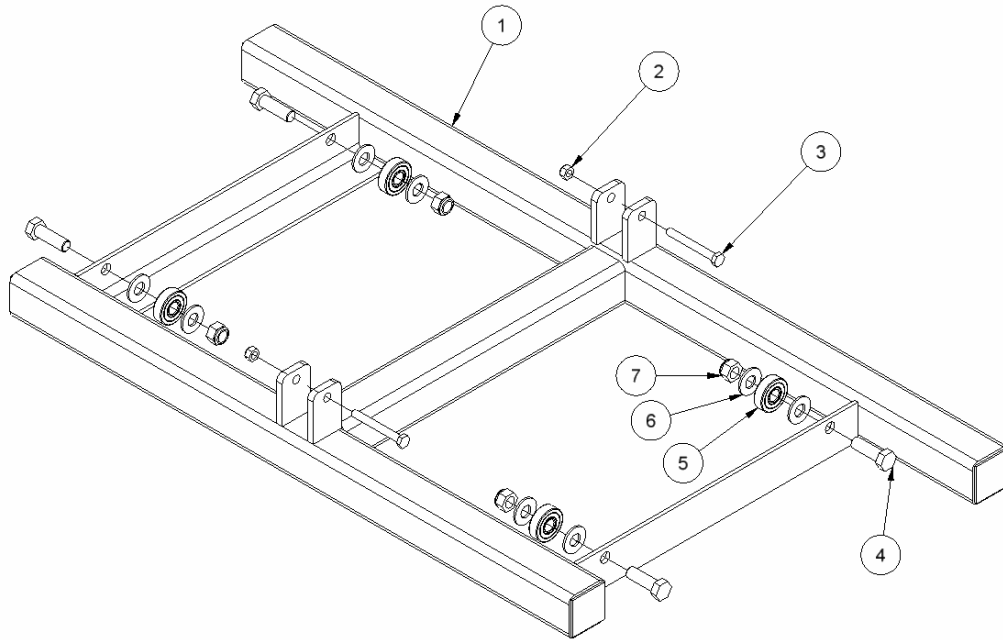
Loading frame





Item	Description	Part number	Image	Quantity used
1	Slide frame	1651		1
2	Fork frame	1802		1
3	Intermediate tray	1209		1

4	Ram pin	1001367		1
5	Hydraulic ram	3½"x1½" Ram 635mm stroke		1
6	Tine knuckle LHS	1795		1
7	Tine knuckle RHS	1800		1
8	Nyloc nut	M6		8
9	Pivot pin	1001201		7
10	Bolt	M6 x 65		8
11	Loading tine	1001639		2

Slide frame



Item	Description	Part number	Image	Quantity used
1	Slide frame (RS2)	1100 (1787)		1
2	Nyloc nut	M10		2
3	Bolt	M10 x 85		2
4	Bolt	M16 x 50		4
5	Bearing	1001373		4
6	Flat washer	M16		8
7	Nyloc nut	M16		4