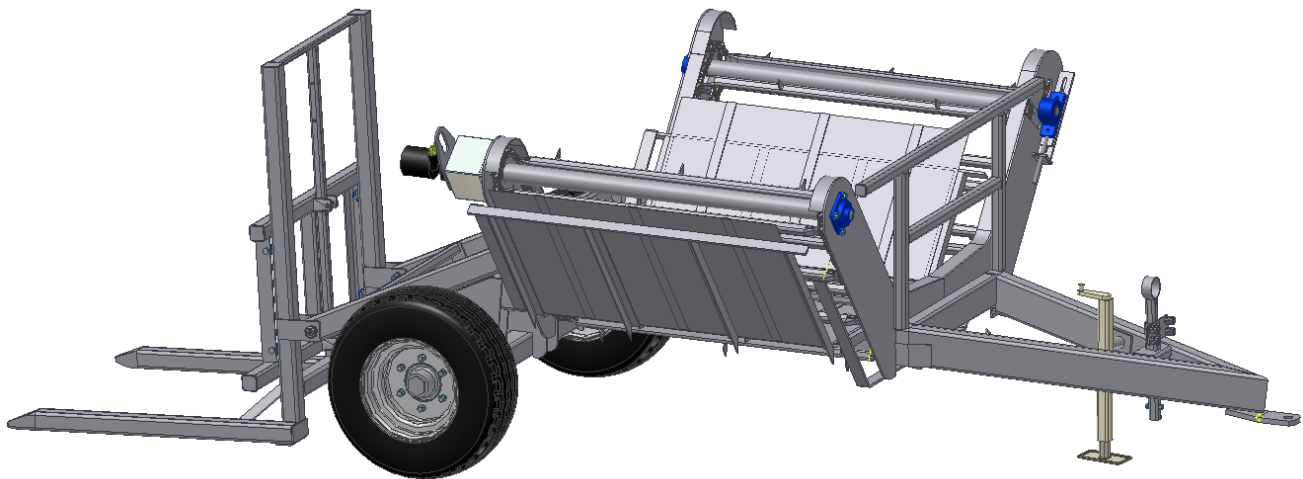




Manufacturers of Agricultural Equipment



Specifications 2 Bale – 2BDC



FEED OUT TYPE	Bi directional chain - on symmetrical high curve - ideal for all chopped round bales
BALE TYPES	Round Chopped Bales
CROP TYPES	Silage
HYDRAULIC CONTROL:	2 Double acting
CAPACITIES IN KGs	2,000kgs
4' ROUND BALES:	2
BODY LENGTH:	1,465mm is our standard body size for 4' bales with all components jig built around this - we do offer optional 5' for bigger bales
OVERAL LENGTH:	4,030mm without loading tines

OVERAL WIDTH:	2,280mm
TARE WEIGHT:	940kgs
AXLE SINGLE:	50 / 6 Stud brakeless Rigid Axle
WHEELS SINGLE:	10.0 / 75 x 15.3 (see options)
CHASSIS:	All chassis' are made of 152mm x 76mm - 400 grade RHS - fully welded to 4711 standard
DRAW BAR LENGTH	1450mm with 60mm jack support
FLOOR THICKNESS	1.6mm Full steel floor
TOW EYE	All drawbars are fitted with a European 40mm diameter forged eye - options on swivel eye or variable height eyes are available
HEADBOARD	Mesh with RHS rails
OIL REQUIREMENT	Minimum of 32 litres / minute
RAM	All feeder use a locally made 4" diameter hydraulic cylinder - double acting - it has a lift capacity of 1,850kgs with only 1,500PSI - ensuring all bales can be loaded
LOADING	All Agmech feeders have a unique off ground loading system that has 2 x Swedish tines that pierce the bale 150mm from ground level thus eliminating tine damage but simplifying plastic and wrap removal - 2nd bale carried on tines awaiting feed-out
FINISHING	Blasted or solvent washed - heavy zinc based primer then 2 x gloss coats
COLOUR	Agmech Yellow on body with Charcoal parts, wheels white
OPTIONS	Common options are 400 wheels - twine box - we will gladly consider any other requirements that you have

## NOTES